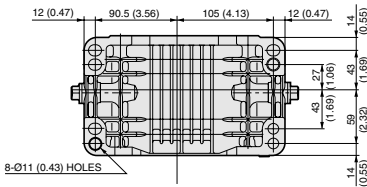
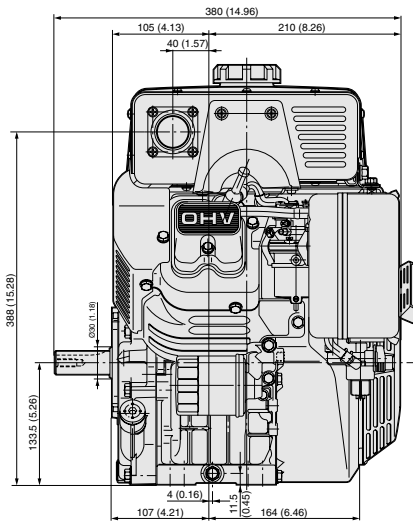
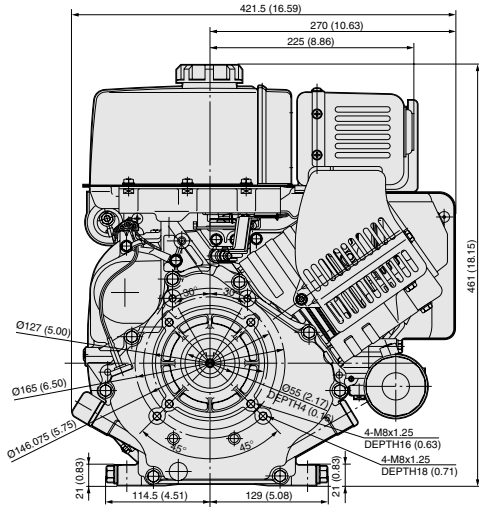
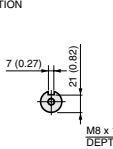


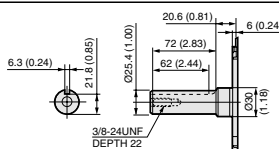
# FE400D DIMENSIONAL SPECIFICATIONS 000606



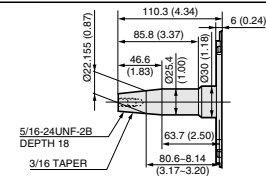
FE400D : SHAFT VARIATION



STRAIGHT SHAFT ( METRIC )

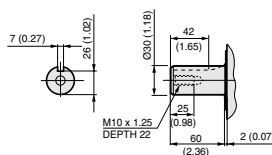
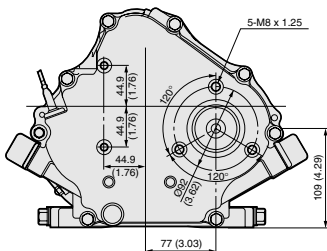


STRAIGHT SHAFT ( INCH )



TAPERED SHAFT ( INCH )

FE400G : PTO FLANGE AND SHAFT



STRAIGHT SHAFT ( METRIC )