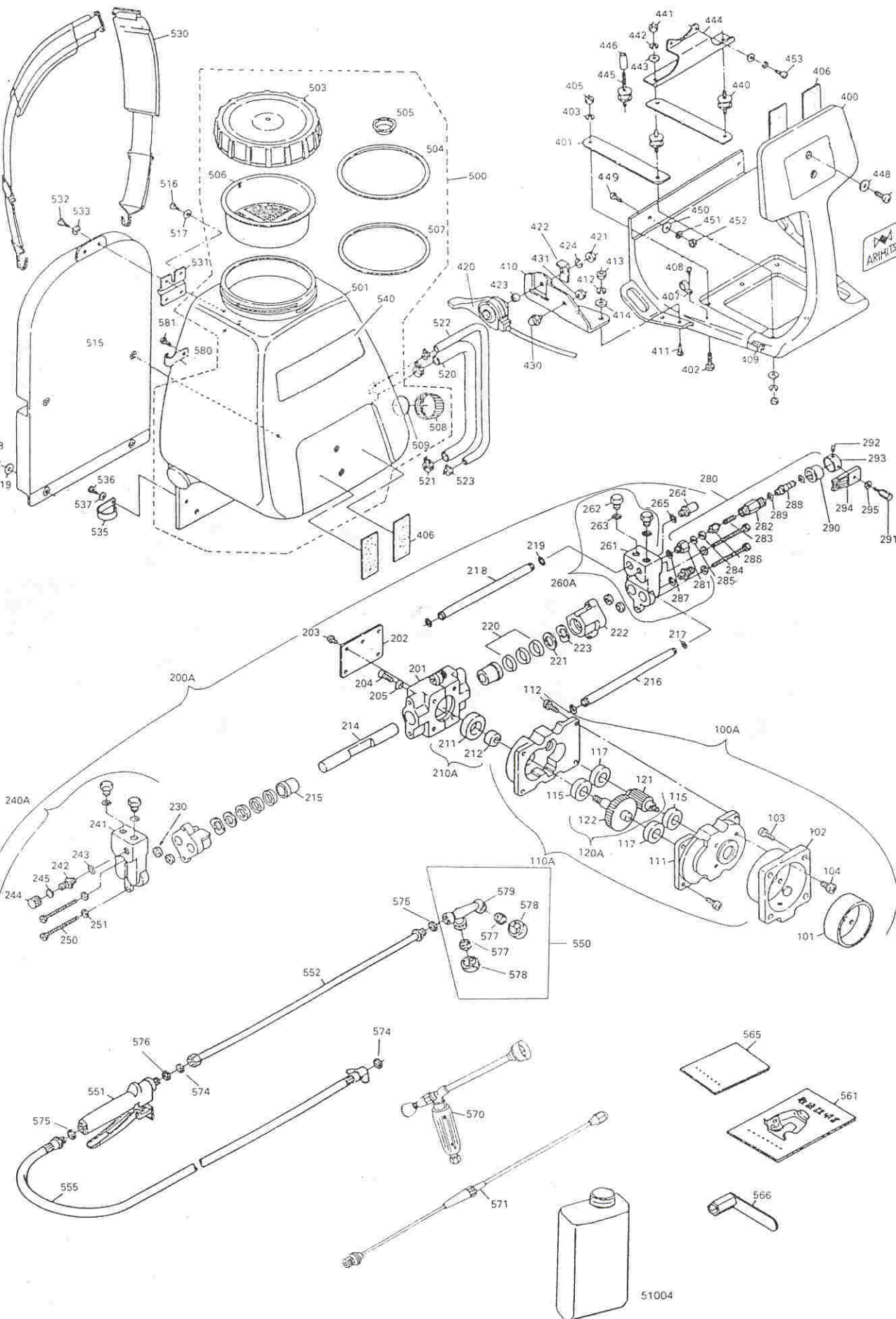


**MOTOPULVERIZADOR**  
**DE MOCHILA**

**DESPIECE**

**MODELO: SD-251K**

**T S U R U**



Ref. No.	Parts Code	Parts Name
100	200250100A	CLUTCH & GEAR CASE
101	2002500101	CLUTCH DRUM
102	2002500102	CLUTCH CASE
103	9106B06015	BOLT
104	9130B05012	SCREW
110	200250110A	GEAR CASE ASSY
111	2002500111	GEAR CASE
112	2002500112	BEAR CSE SCREW
115	2002500115	BEARING 6001RS
117	2002500117	BEARING 6001
120	200250120A	GEAR ASSY
121	2002500121	PINION GEAR
122	2002500122	LARGE GEAR
200	200250200A	PUMP ASSY
201	2002500201	PUMP CASE
202	2002500202	PUMP CASE COVER
203	9130B05006	SCREW M5 X 6
204	9132E05012	PUMP CASE SCREW M5 X 12
205	2002500205	STAR WASHER
210	200250210A	CAM SET
211	2002500211	BEARING
212	2002500212	CAM
214	2002500214	PLUNGER
215	2002500215	PLUNGER GUIDE
216	2002500216	OUTLET PIPE
217	9201B15005	O-RING
218	2002500218	INLET PIPE
219	9201B15007	O-RING
220	200250022A	V-PACKING NBR
221	2002500221	PACKING SPREADER
222	2002500222	STUFFING BOX
223	2002500223	WAVE WASHER
230	2002500230	VALVE ASSY
240	200250240A	CYLINDER HEAD ASSY L
241	2002500241	CYLINDER HEAD L
242	2002500242	OUTLET NIPPLE
243	2002500243	O-RING
244	2002500244	OUTLET CAP
245	2002500245	GASKET
250	9101R05016	HEAD BOLT
251	9163S05000	SPRING WASHER
260	200250260A	GYLINDER HEAD ASSY R
261	2002500261	CYLINDER HEAD R
262	2002500262	BLIND PLUG



263	2002500263	O-RING
264	2002500264	INLET NIPPLE
265	2002500265	O-RING
280	200250280A	PRESSURE REGULATOR
281	2002500281	REGULATOR JOINT
282	2002500282	REGULATOR BODY
283	2002500283	REGULATOR SPRING
284	2002500284	REGULATOR VALVE SEAT
285	2002800285	REGULATOR SEAT PACKING
286	2002500286	REGULATOR VALVE
287	2002500287	O-RING
288	2002500288	SPRING ADAPTER
289	2002500289	O-RING
290	2002500290	REGULATOR SCREW CAP
291	2002500291	REGULATOR LEVER
292	2002500292	LEVER LOCK SCREW
401	2002500401	BASE PLATE
402	9101B06016	SCREW
403	9163F06000	SPRING WASHER
405	9140B06000	NUT
406	2002500406	CUSHION SPONGE
407	2002500407	CABLE LOCK BAND
408	9137B11E10	TAPPING SCREW 4 X 8
409	9137B11E20	TAPPING SCREW 4 X 20
410	2002500410	THROTTLE LEVER BASE
411	9101B06016	SCREW M5 X 20
412	9163F06000	SPRING WASHER
413	9140B06000	NUT
414	9162B06000	WASHER
420	390752120	THROTTLE LEVER
421	9140B05000	NUT
422	2002500422	STOPPER
423	2002500423	COLLAR
424	9163F05000	SPRING WASHER
430	3103078511A	STOP SWITCH
431	9140B08000	NUT
440	2002500440	VIBRATION ABSORBER S
441	9140B06000	NUT
442	9163F06000	SPRING WASHER
443	2002500443	FLAT WASHER
444	2002500444	ENGINE BASE PLATE
445	2002500445	VIBRATION ABSORBER L
446	2002500446	ABSORBER COLLAR
447	9130B0614	SCREW
448	2002500443	FLAT WASHER
449	9130B06022	SCREW
450	2002500443	FLAT WASHER M6 X 20

451	9163F06000	SPRING WASHER M6 X 20
452	9140B06000	NUT
453	9130B05020	SCREW
500	200250500A	CHEMICAL TANK ASSY
501	2002500501	CHEMICAL TANK
503	2002500503	CHEMICAL TANK LID
504	2002500504	TANK LID GASKET
505	2002500505	AIR EXTRACTOR CAP
506	2002500506	STRAINER
507	2002500507	STRAINER GASKET
508	2002500508	DRAIN CAP
509	2002500509	CAP PACKING
515	2002500515	BACK MAT
516	9130B06010	SCREW
517	9162B06000	WASHER
518	9137B11H15	TAPPING SCREW 6 X 16
519	9162B06000	WASHER
520	2002500520	INLET HOSE
521	2002500521	INLET HOSE CLAMP
522	2002500522	OVERFLOW HOSE
523	2002500523	OVERFLOW HOSE CLAMP
530	200250530A	CARRYING STRAP COMP
531	2002500531	STRAP HOLDER
532	9130B06010	SCREW
533	9163F06000	SPRING WASHER M6
535	2002500535	WAND HOLDER BAND
536	9137B11E10	TAPPING SCREW
537	9163F04000	WASHER
550	F250111000	COMBINATION NOZZLE
551	F2501030001	TRIGGER HANDLE
552	F2501020001	WAND
555	200600715	HOSE 7.5MM X 1.25MM
566	31200094100	PLUG WRENCH
570	A00280710	C-2 GUN NOZZLE (OPTION)
571	F2500011100	TELESCOPIC WAND (OPTION)
574	3104700	PACKING (UNDER)
575	3104900	PACKING (ON)
576	491219	PACKING (ON)
577	491219	NEW NOZZLE DISC D-6
578	511112	CAP
579	901115	BODY