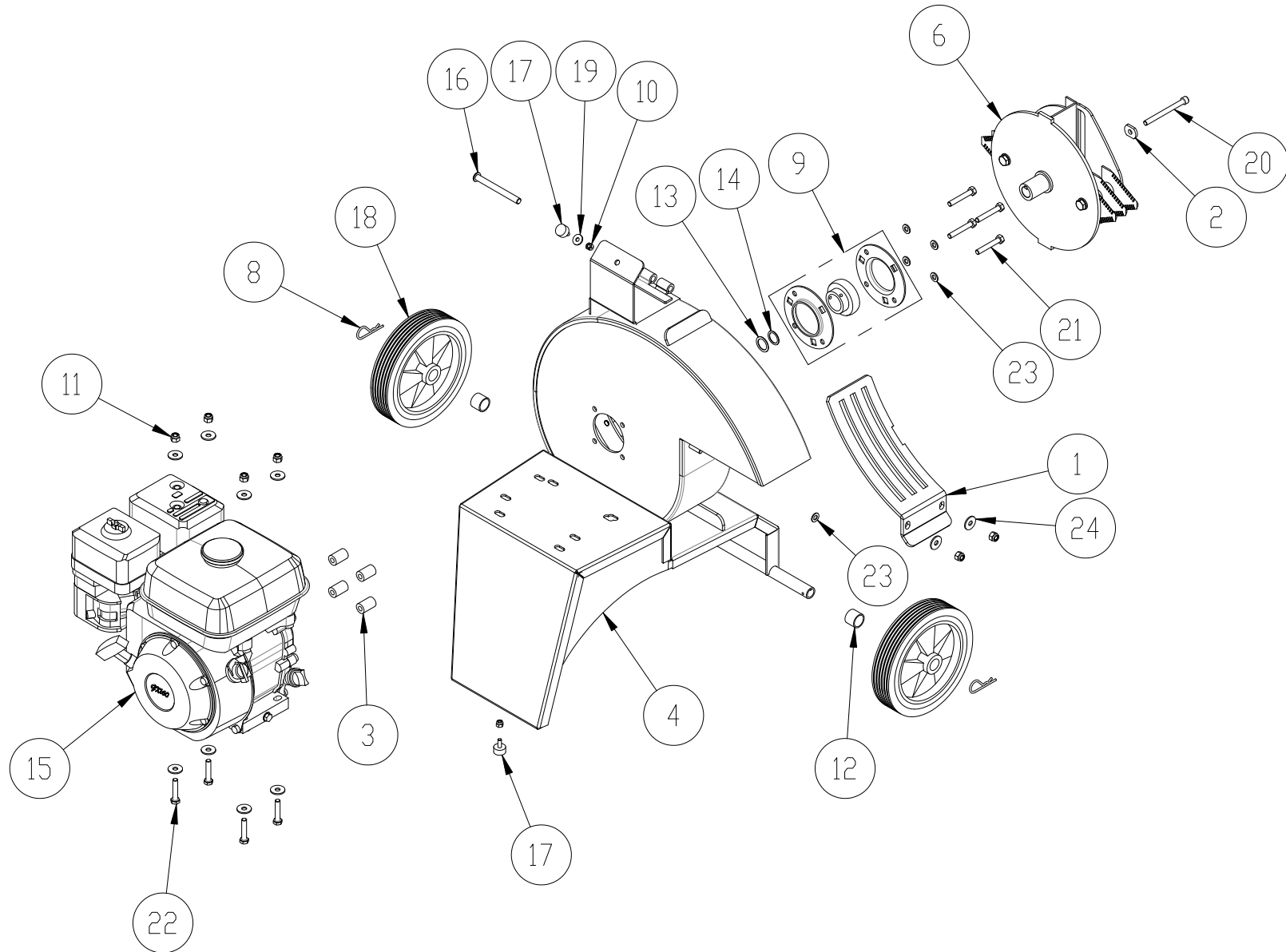


Honda GP 160 Petrol version
Electric version 3 HP 220V

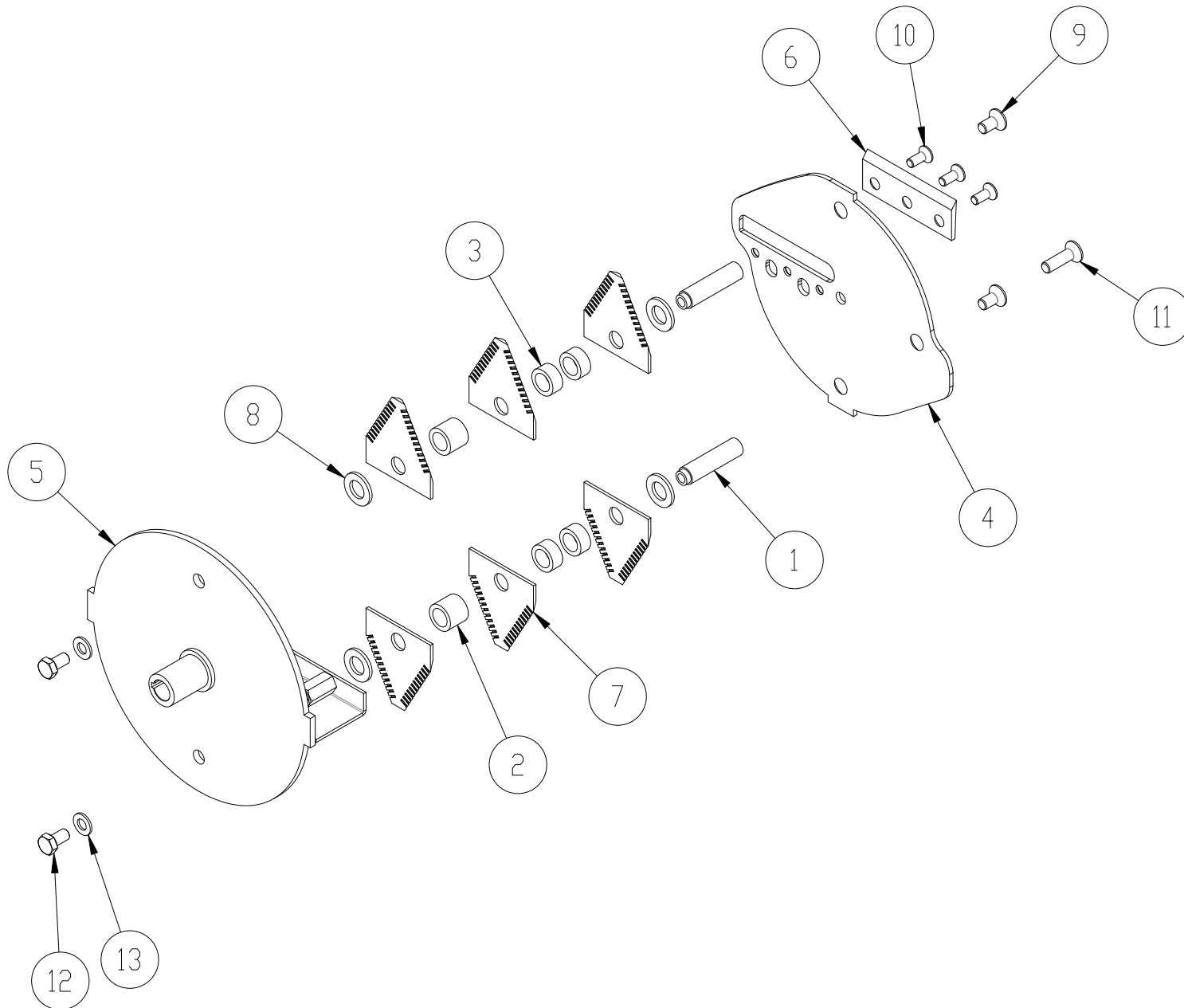


BIO 50

Tab.1 - Machine frame (Honda GP 160)



Pos.	Description	No.	Code
1	Screen	1	001730
2	Shaped washer	1	001731
3	Spacer L=28	4	001732
4	Machine frame	1	001733
6	Rotor (Honda)	1	001734
8	Circlip pin R 2,5	2	900005
9	Bearing SBPF 206	1	001737
10	Self-lock nut M6	2	8D00003
11	Self-lock nut M8	4	8D00004
12	Spacer L=20	2	001735
13	Thickness PS Ø28x20x1	1	8S00013
14	Thickness PS Ø26x19x1	2	8S00010
15	Engine Honda GP 160	1	900846
16	Hinge pin	1	001736
17	Vibration dumping Ø 20x10	2	910193
18	Wheel Ø200x50	2	910012
19	Washer Ø6x18	1	8G00003
20	Bolt TCEI 5/16x3" ½ UNF	1	8V00004
21	Bolt TE 5/16x2" UNF	4	8V00008
22	Bolt TE M8x40	4	8V00009
23	Washer Ø 8x16	5	8R00006
24	Washer Ø 8x24	9	8G00001

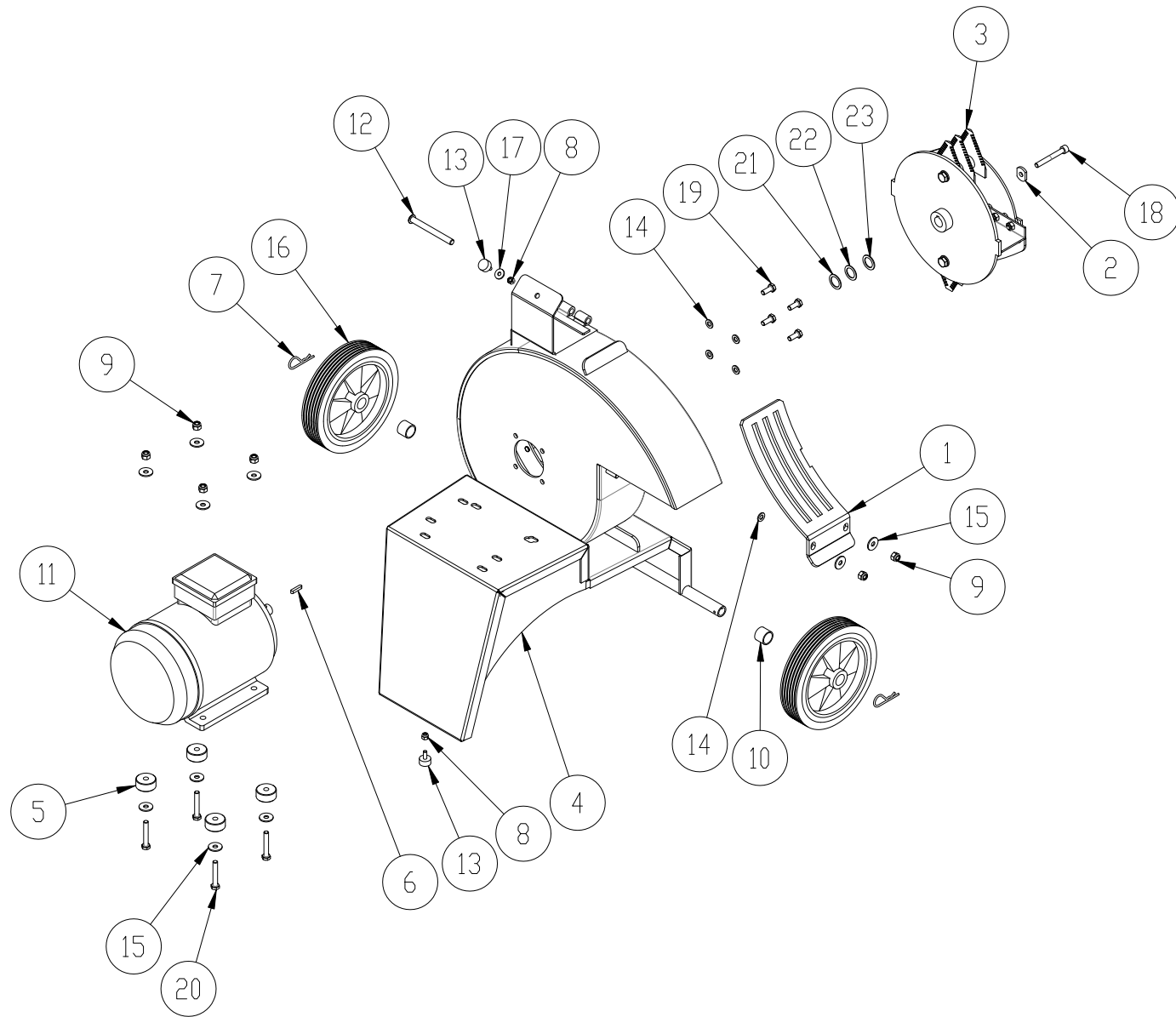


BIO 50

Tab.2 - Rotor Assembly (Honda GP 160)



Pos.	Description	No.	Code
1	Blade rod	2	000037
2	Spacer H=21	2	000039
3	Spacer H=11.5	4	000041
4	Rotor disc	1	001738
5	Rotor Assembly (Honda)	1	001739
6	Chipper blade	1	001661
7	Blade TR3	6	000038
8	Washer \varnothing 16x3	4	8R00012
9	Bolt TSPEI M10x20	2	8V00018
10	Bolt TSPEI M8x20	3	8V00014
11	Bolt TSPEI M10x35	1	8V00022
12	Bolt TE M10x16x1	2	8V00026
13	Washer \varnothing 10x20	2	8R00007

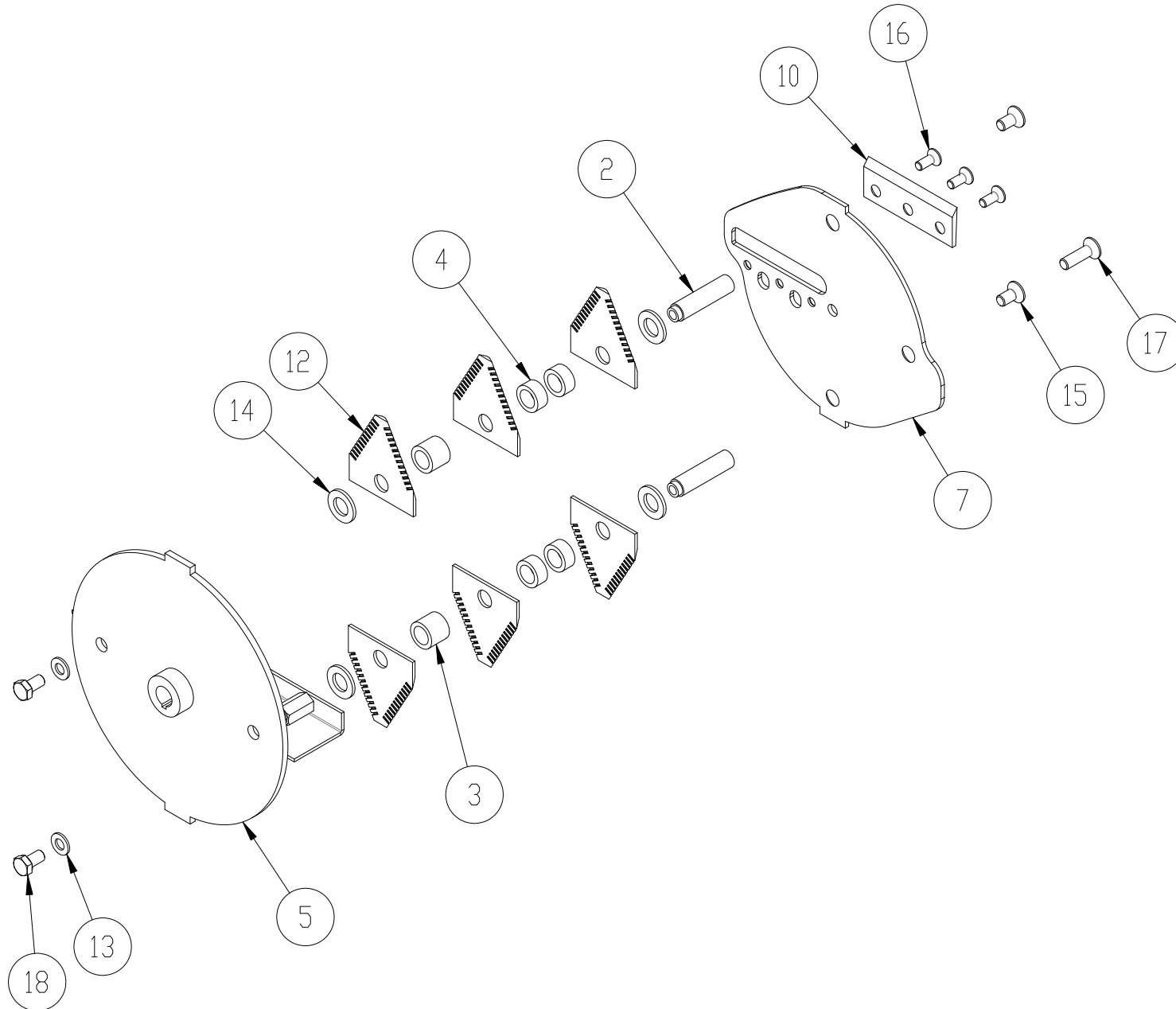


BIO 50

Tab.3 - Machine frame (electric 3HP 220V)



Pos.	Description	No.	Code
1	Screen	1	001730
2	Shaped washer	1	001731
3	Rotor Assembly (electric)	1	001740
4	Machine frame	1	001733
5	Motor spacer	4	001741
6	Key 5x5x25	1	900915
7	Circlip pin R 2,5	2	900005
8	Self-lock nut M6	2	8D00003
9	Self-lock nut M8	6	8D00004
10	Spacer L=20	2	001735
11	Electric motor 3 hp 2.2 kW	1	015300210
12	Hinge pin	1	001736
13	Vibration dumping Ø20x10	2	910193
14	Washer Ø 8x16	5	8R00006
15	Washer Ø 8x24	11	8G00001
16	Wheel Ø200x50	2	910012
17	Washer Ø6x18	1	8G00003
18	Bolt TE M8x75	1	8V00040
19	Bolt TE M8x20	4	8V00029
20	Bolt TE M8x50	4	8V00033
21	Thickness PS Ø20x28x1	1	8S00013
22	Thickness PS Ø19x26x1	2	8S00010
23	Thickness PS Ø19x26x1,5	1	8S00011

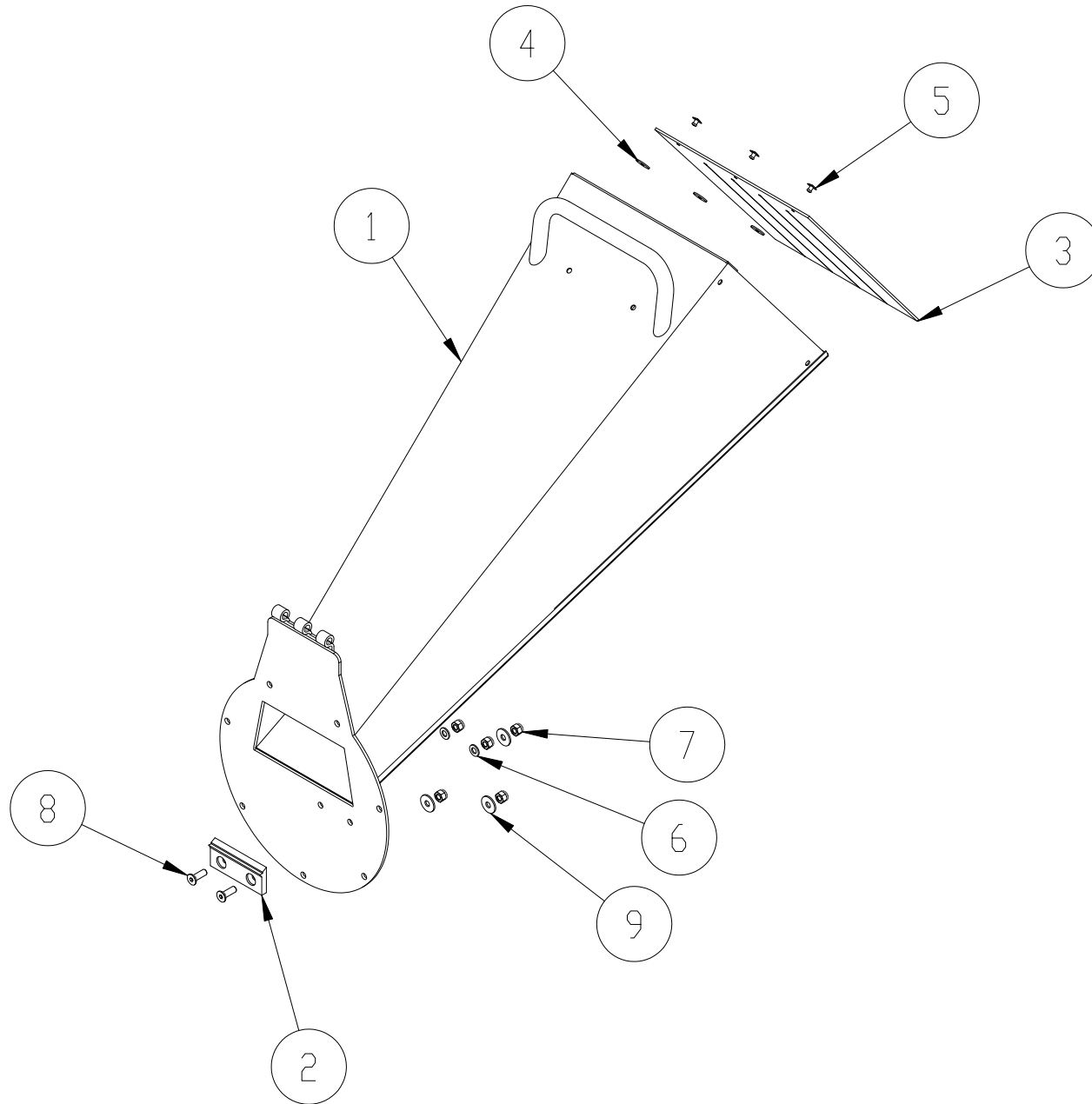


BIO 50

Tab.4 - Rotor Assembly (electric 3 HP 220V)



Pos.	Description	No.	Code
2	Blades rod	2	000037
3	Spacer H=21	2	000039
4	Spacer H=11.5	4	000041
5	Electric rotor	1	001742
7	Rotor disc	1	001738
10	Chipper blade	1	001661
12	Blade TR3	6	000038
13	Washer \varnothing 10x20	2	8R00007
14	Washer \varnothing 16x3	4	8R00012
15	Bolt TSPEI M10x20	2	8V00018
16	Bolt TSPEI M8x20	3	8V00014
17	Bolt TSPEI M10x35	1	8V00022
18	Bolt TE M10x16x1	2	8V00026



BIO 50

Tab.5 - Loading hopper



Pos.	Description	No.	Code
1	Hopper	1	001743
2	Counter-blade	1	001676
3	Rubber protection	1	001772
4	Washer Ø5x20	3	8G00002
5	Rivet Ø4,9x16	3	900457
6	Washer Ø8x16	2	8R00006
7	Self-lock nut M8	8	8D00004
8	Bolt TSPEI M8x25	2	8V00050
9	Washer Ø8x24	7	8G00001

CARAVAGGI S.r.l.
Via Monte Adamello, 20
I - 25037 Pontoglio (BS)
+39 030 7470464
www.caravaggi.com

