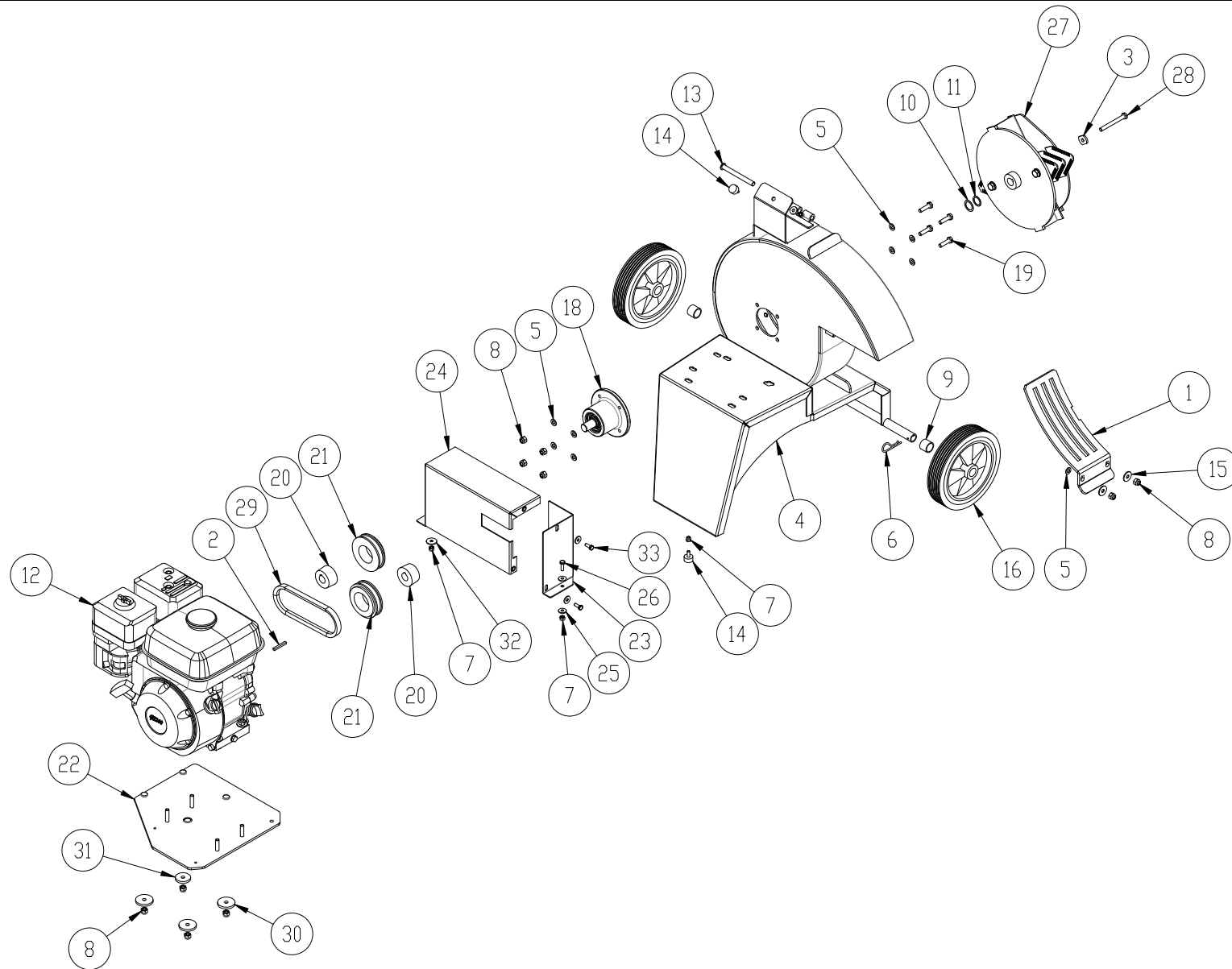
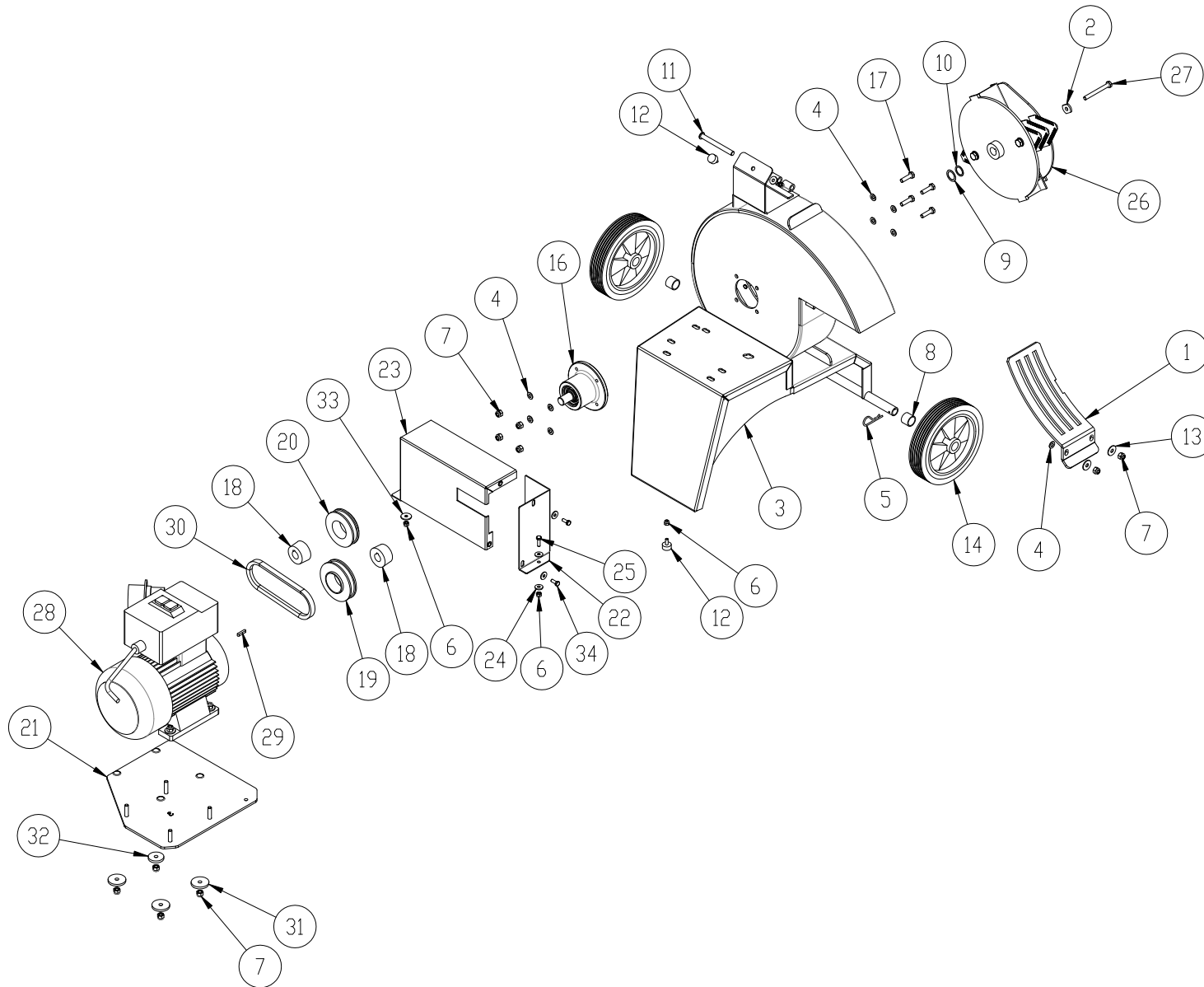


Petrol version Honda GP 160
Petrol version Honda GX 160
Petrol version Honda GX 200
Electric version 3 HP 220V



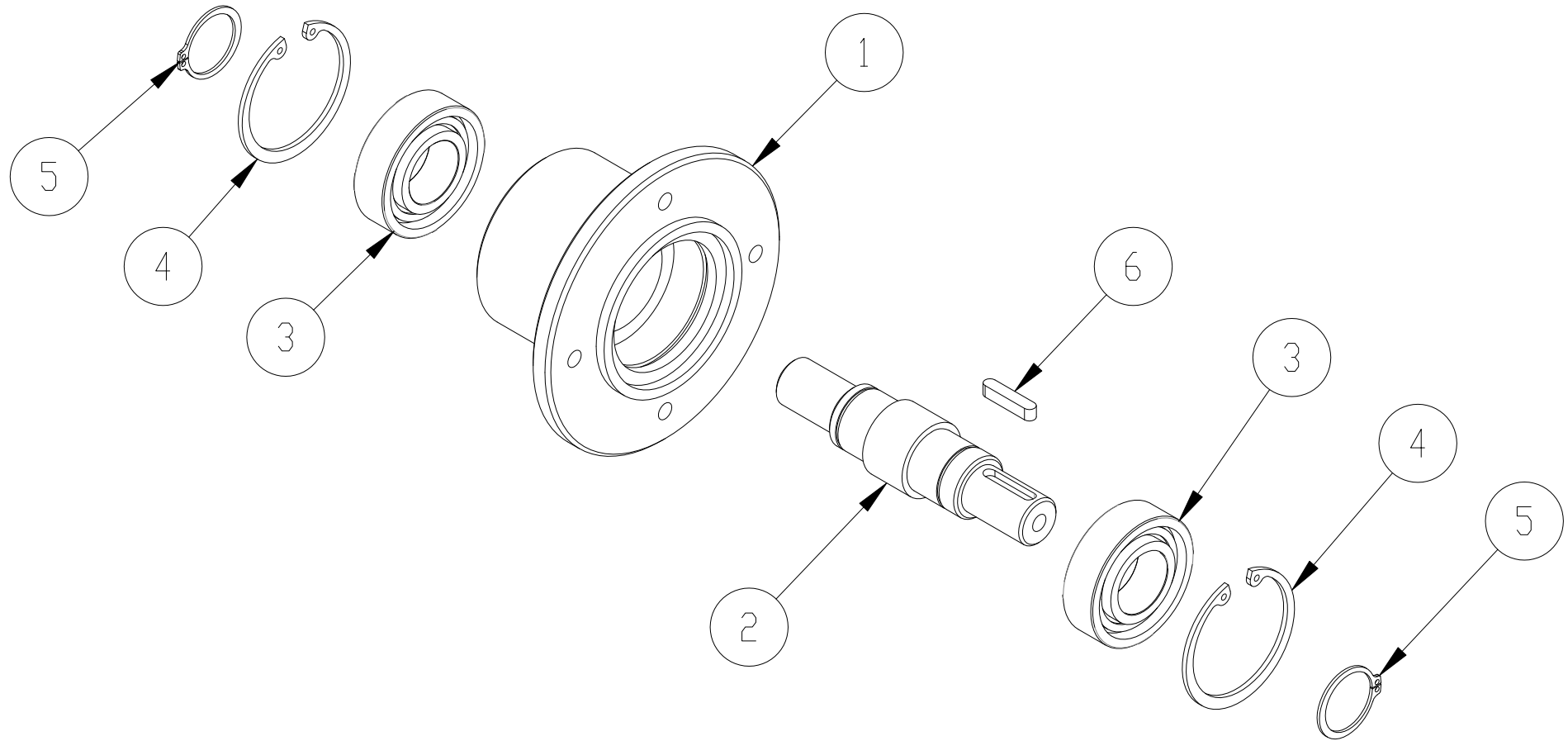
BIO 55 B**Tab.1 - Machine frame (Honda)**

Pos.	Description	No.	Code
1	Screen	1	001730
2	Engine key 4.7x4.7x38	1	001564
3	Shaped washer	1	001731
4	Machine frame	1	001733
5	Washer Ø8x16	9	8R00006
6	Circlip pin R3	2	900663
7	Self-lock nut M6	3	8D00003
8	Self-lock nut M8	14	8D00004
9	Spacer L=20	2	001735
10	Thickness PS Ø28x20x1	1	8S00013
11	Thickness PS Ø26x19x1	2	8S00010
12	Engine Honda GP160 Engine Honda GX160 Engine Honda GX200	1	900846 910190 910191
13	Hinge pin	1	001736
14	Vibration dumping Ø20x10	2	910193
15	Washer Ø8x24	6	8G00001
16	Wheel Ø200x50	2	901012
18	Transmission Assembly	1	000774
19	Bolt TE M8x30	4	8V00041
20	Bush 1610 hole Ø19	2	000778
21	Pulley 1 SPA 80 1610	2	900594
22	Engine plate	1	000775
23	Belt casing plug	1	000777
24	Belt casing	1	001109
25	Washer Ø6x18	7	8G00003
26	Bolt TE M6x15	2	8V00181
27	Rotor Assembly	1	001740
28	Bolt TE M8x75	1	8V00040
29	Belt A-19	1	900593
30	Washer Ø40x8x5	3	8R00025
31	Washer Ø35x8x5	1	8R00026
32	Washer Ø6x24	1	8G00004
33	Bolt TE M6x20	2	8V00045



BIO 55 E**Tab.2 - Machine frame (electric)**

Pos.	Description	No.	Code
1	Screen	1	001730
2	Shaped washer	1	001731
3	Machine frame	1	001733
4	Washer Ø8x16	9	8R00006
5	Circlip pin R3	2	900663
6	Self-lock nut M6	3	8D00003
7	Self-lock nut M8	14	8D00004
8	Spacer L=20	2	001735
9	Thickness PS Ø28x20x1	1	8S00013
10	Thickness PS Ø26x19x1	2	8S00010
11	Hinge pin	1	001736
12	Vibration dumping Ø20x10	2	910193
13	Washer Ø8x24	6	8G00001
14	Wheel Ø200x50	2	901012
16	Transmission Assembly	1	000774
17	Bolt TE M8x30	4	8V00041
18	Bush 1610 hole Ø19	2	000778
19	Pulley 1 SPA 90	1	900777
20	Pulley 1 SPA 80	1	900594
21	Engine plate	1	001108
22	Belt casing plug	1	000777
23	Belt casing	1	001109
24	Washer Ø6x18	7	8G00003
25	Bolt TE M6x20	2	8V00045
26	Rotor Assembly	1	001740
27	Bolt TE M8x75	1	8V00040
28	Electric motor 3 hp / 2.2 kW 220V	1	900463
29	Motor key 5x5x25	1	900915
30	Belt A-19	1	900593
31	Washer Ø40x8x5	3	8R00025
32	Washer Ø35x8x5	1	8R00026
33	Washer Ø6x24	1	8G00004
34	Bolt TE M6x15	2	8V00181

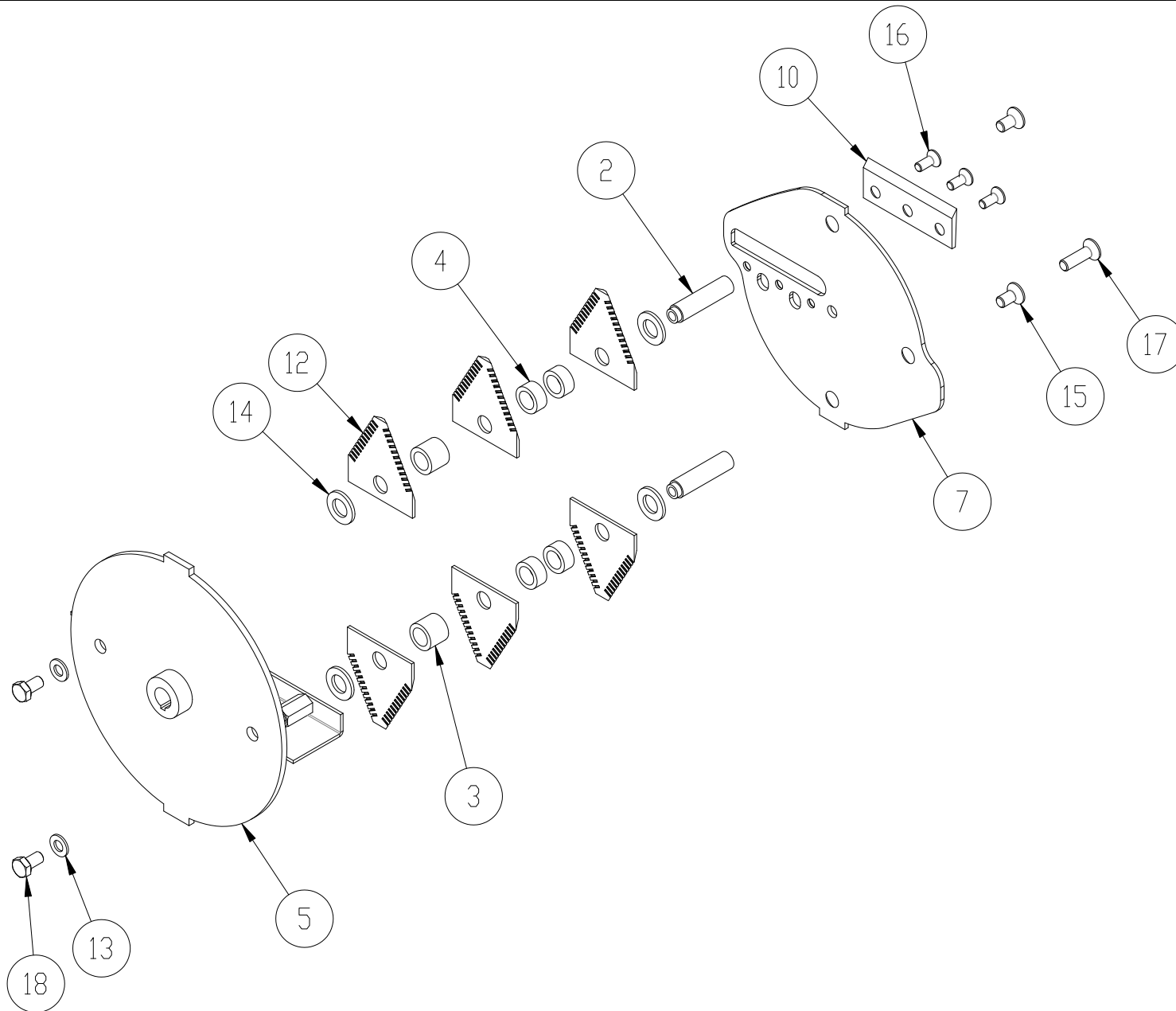


BIO 55

Tab.3 - System transmission



Pos.	Description	No.	Code
1	Flange	1	000779
2	Shaft	1	000780
3	Bearing 6205 (25x52x15)	2	900595
4	Seeger ring \varnothing 52	2	900596
5	Seeger ring \varnothing 25	2	900347
6	Key 5x5x25	1	900915

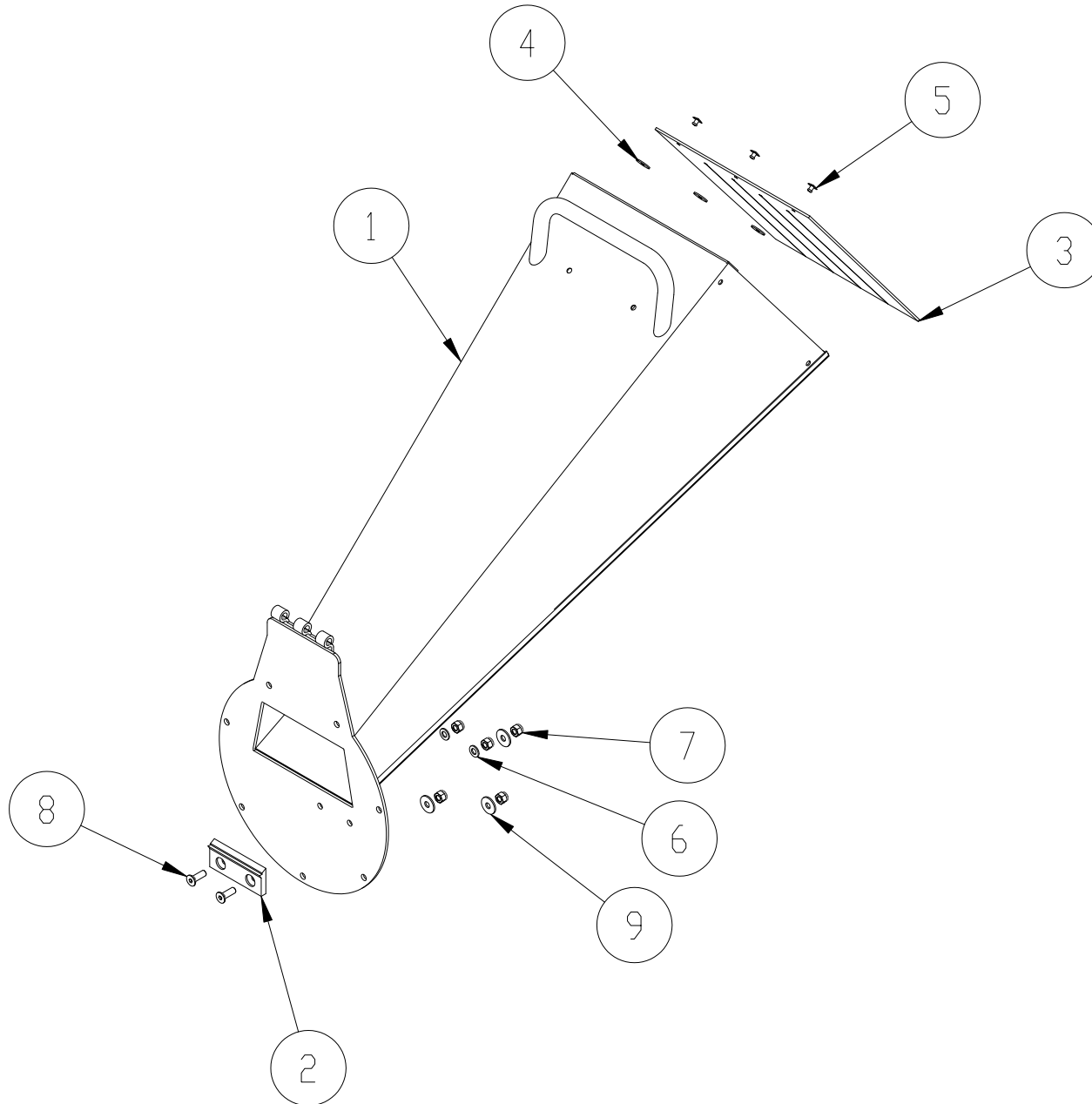


BIO 55

Tab.4 - Rotor Assembly



Pos.	Description	No.	Code
2	Blades rod	2	000037
3	Spacer H=21	2	000039
4	Spacer H=11.5	4	000041
5	Rotor Assembly	1	001742
7	Rotor disc	1	001738
10	Chipper blade	1	001661
12	Blade TR3	6	000038
13	Washer Ø10x20	2	8R00007
14	Washer Ø16x3	4	8R00012
15	Bolt TSPEI M10x20	2	8V00018
16	Bolt TSPEI M8x20	3	8V00014
17	Bolt TSPEI M10x35	1	8V00022
18	Bolt TE M10x16x1	2	8V00026



BIO 55

Tab.5 - Hopper



Pos.	Description	No.	Code
1	Hopper	1	001743
2	Counter blade	1	001676
3	Rubber protection	1	001772
4	Washer Ø5x15	3	8G00002
5	Rivet Ø4,9x16	3	900457
6	Washer Ø8x16	2	8R00006
7	Self-lock nut M8	8	8D00004
8	Bolt TSPEI M8x25	2	8V00050
9	Washer Ø8x24	6	8G00001

CARAVAGGI S.r.l.
Via Monte Adamello, 20
I - 25037 Pontoglio (BS)
+39 030 7470464
www.caravaggi.com

