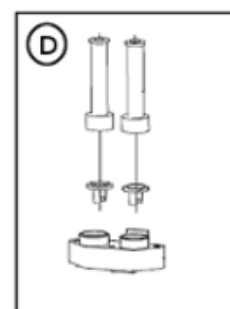
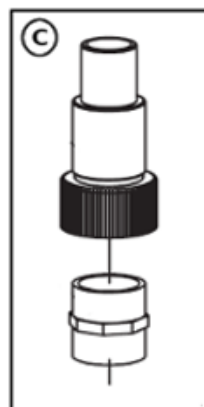
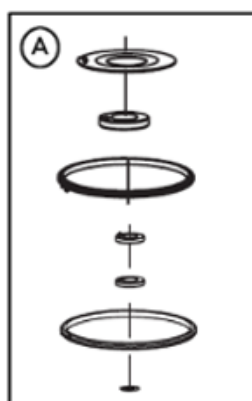
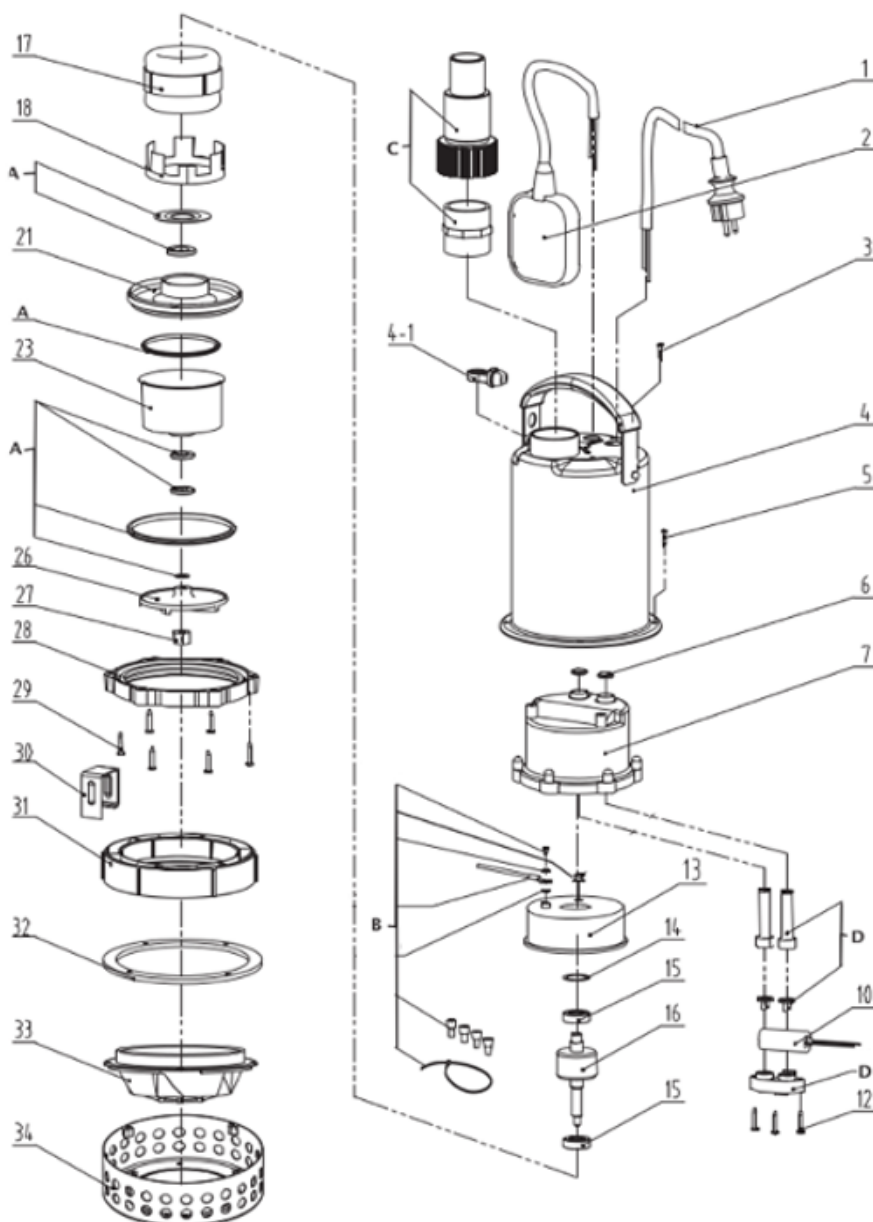




KSL130
V1 2017/06

DESPIECE
PEÇAS
SPARE PARTS
VUES ECLATÉES



Nº	REFERENCIA REFERENCE	DESCRIPCIÓN	DESCRIPTION	CANTIDAD QUANTITY
A	89138	KIT JUNTAS KSL130	GASKET REPAIR KIT KSL130	1
B	89139	KIT TOMA TIERRA KSL130	EARTH CABLE KIT KSL130	1
C	89140	KIT RACOR KSL130	CONNECTOR KIT KSL130	1
D	89141	KIT ASIENTO CABLE KSL130	KIT CABLE BASE KSL130	1
1	89142	CABLE CORRIENTE	POWER LINE	1
2	89143	FLOTADOR	FLOAT SWITCH	1
3	89144	TORNILLO	SELF-TAPPING SCREW	5
4	89145	CUERPO BOMBA	MAIN BODY ASSEMBLY	1
4-1	89146	ABRAZADERA CABLE	CABLE CLAMP ASSEMBLY	1
5	89147	TORNILLO	SCREW	4
6	89148	ARO TORICO	O RING	2
7	89149	TAPA BOMBA TRASERA	REAR PUMP COVER	1
10	89150	CONDENSADOR 16MF	16UF CAPACITOR P2	1
12	89151	TORNILLO	SELF-TAPPING SCREW	3
13	89152	TAPA TRASERA	BACK COVER	1
14	89153	ARANDELA	WAVE WASHER	1
15	89154	RODAMIENTO	BEARING	2
16	89155	ROTOR	ROTOR	1
17	89156	STATOR	STATOR	1
18	89157	ANILLA	LINING RING	1
21	89158	CAMISA ALUMINIO	ALUMINIUM LINING	1
23	89159	TAPA DELANTERA	FRONT COVER	1
26	89160	TURBINA	IMPELLER	1
27	89161	TUERCA	NUT	1
28	89162	ANILLA	PRESSING RING	1
29	89163	TORNILLO	SELF-TAPPING SCREW	6
30	89164	CHAPA TOMA TIERRA	EARTH LUG	1
31	89165	ANILLA	LOCATING RING	1
32	89166	GOMA	SEAL WASHER	1
33	89167	BASE INTERIOR	INNER BASE	1
34	89168	BASE BOMBA	PUMP BASE	1